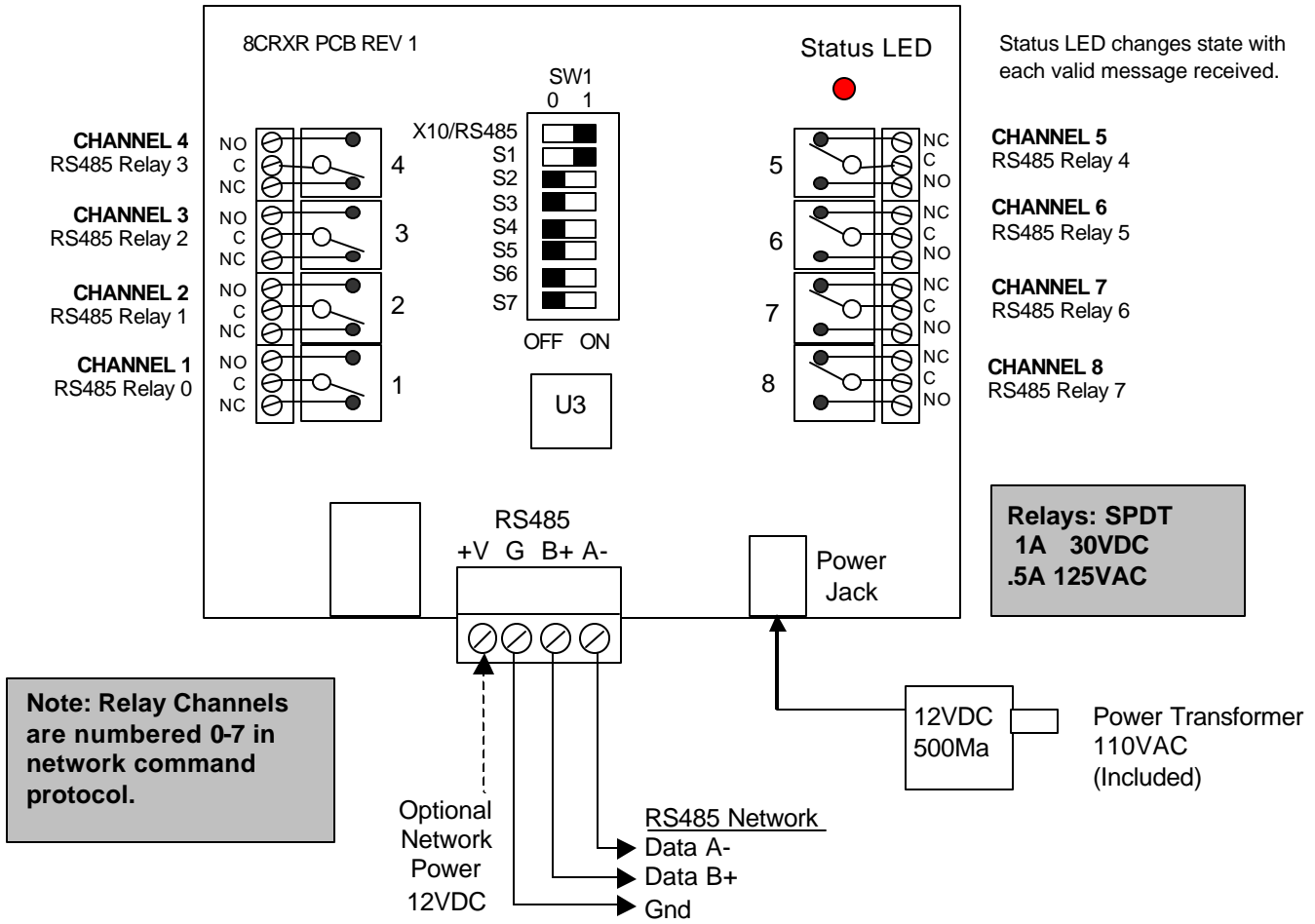


Wiring Diagram

- RS485 Set all relays, bit encoded.
- RS485 Set individual relay, ON or OFF.
- RS485 Pulse individual relay, 0 to 3240 seconds
- RS485 Read status relays, bit encoded.
- Compatible with RCS CommStar RS485 Networks



Dipswitch SW1 Settings

X10/RS485	Set On = 1
Net Address	S1234567
1	1000000
2	0100000
3	1100000
4	0010000
5	1010000
6	0110000
7	1110000
8	0001000
9	1001000
10	0101000
15	1111000
31	1111100
63	1111110
127	1111111

Set Dipswitch SW1 position 1 to ON (1) for RS485 operation.

Default RS485 Address is 1.

Address 0 is reserved for global commands.