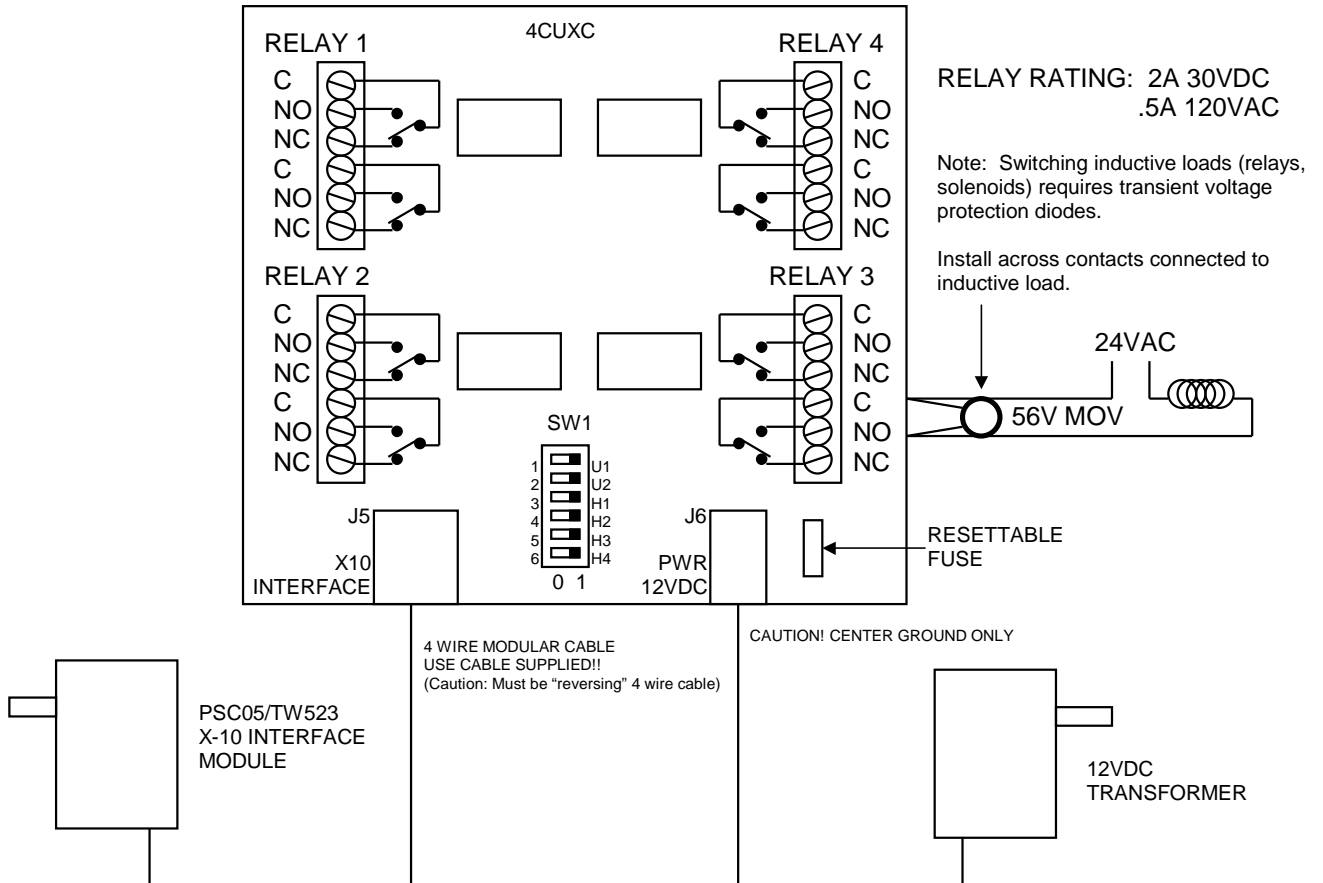


Wiring Diagram

- Models: **4CUXL** Latching ON or OFF with X10 Unit ON or OFF command.
4CUXM Momentary On with X10 Unit ON command.
4CUXP Pulsed On (1 sec) with X10 Unit ON **AND** OFF command.

Responds to X10 Unit Code ON/OFF commands in sequential groups of 1-4, 5-8, 9-12, or 13-16.



DIPSWITCH SW1

X10 UNIT GROUP SELECTION

| SW1 | U1 | U2 |
|-------------|----|----|
| GROUP 1-4 | 1 | 1 |
| GROUP 5-8 | 0 | 1 |
| GROUP 9-12 | 1 | 0 |
| GROUP 13-16 | 0 | 0 |

X-10 HOUSE CODE SELECTION

| | SW1-3 | 4 | 5 | 6 | SW1-3 | 4 | 5 | 6 |
|---|-------|---|---|---|-------|---|---|---|
| A | 1 | 0 | 0 | 1 | I | 1 | 0 | 0 |
| B | 0 | 0 | 0 | 1 | J | 0 | 0 | 0 |
| C | 1 | 1 | 0 | 1 | K | 1 | 1 | 0 |
| D | 0 | 1 | 0 | 1 | L | 0 | 1 | 0 |
| E | 1 | 1 | 1 | 0 | M | 1 | 1 | 1 |
| F | 0 | 1 | 1 | 0 | N | 0 | 1 | 1 |
| G | 1 | 0 | 1 | 0 | O | 1 | 0 | 1 |
| H | 0 | 0 | 1 | 0 | P | 0 | 0 | 1 |

UNIT GROUP UNIT CODE TO RELAY MAP

| Relay # | 1 | 2 | 3 | 4 | Unit Code |
|-------------|----|----|----|----|-----------|
| Group 1-4 | 1 | 2 | 3 | 4 | |
| Group 5-8 | 5 | 6 | 7 | 8 | |
| Group 9-12 | 9 | 10 | 11 | 12 | |
| Group 13-16 | 13 | 14 | 15 | 16 | |

0= Off 1= On