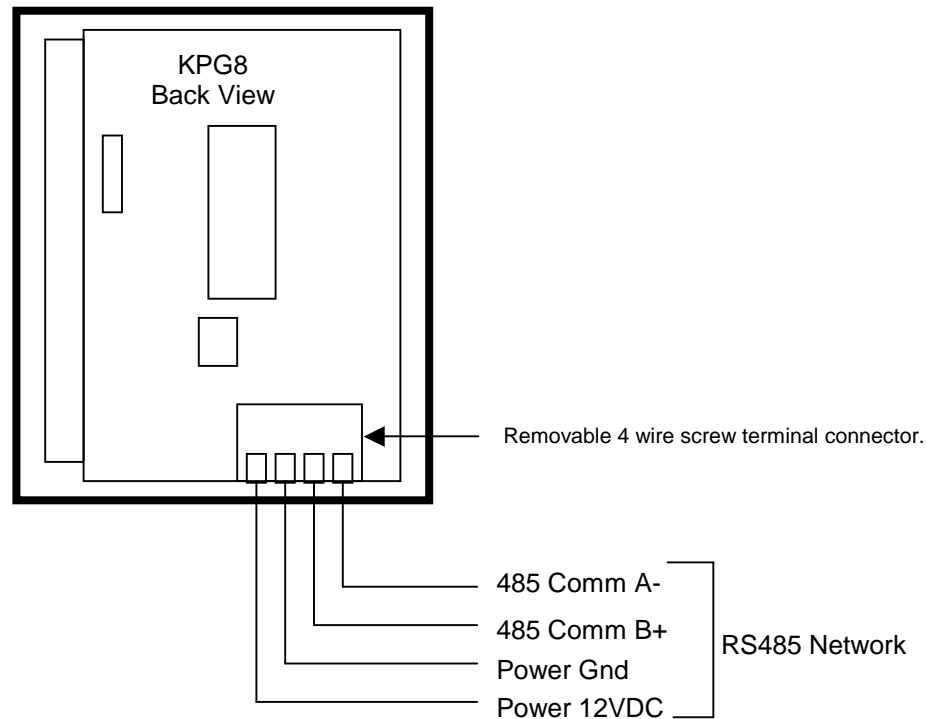


Wiring Diagram



NETWORK PROTOCOL

The KPG8 uses the CommStar RS485 ASCII protocol. It is fully supported by RCS Network Control Units. Communications Settings: Half duplex, 9600 baud, 8 data bits, 1 stop bit, no parity and no flow control.

WIRING

Recommended wiring is Cat 5 twisted pair cable. Max cable length to CommStar Hub is 4000ft. Other wiring topologies subject to their network requirements.

KEYPAD SETUP MODE

To enter setup mode, press and hold the top button on the keypad for 5 seconds until the display switches to the setup screen. From the setup screen you can verify Firmware version number, change network address, screen timeouts, default menu, time format, and other modes. To exit the setup screen, press the bottom button labeled "Main" to return to the default main menu.

FIRMWARE VERSION

The keypad firmware version number is displayed in the setup screen.

KEYPAD ADDRESSING

The keypad network address is displayed and set from the setup screen. Address range is 1 to 124. Default is address 1.

DEFAULT SCREEN NUMBER

From the setup screen, you can set the default screen menu number that the keypad will default to after the screen timeout period has expired. This must be a menu defined and downloaded in the keypad.

SCREEN TIMEOUT

From the setup screen, you can set the screen timeout period in seconds. Time out range is 0 to 255 seconds. After this time period expires, the keypad will switch to the default screen menu number set above. If time out period is set to "0" seconds, the screen will not time out and will stay active.

BACKLIGHT TIMEOUT

From the setup screen, you can set the backlight timeout period in seconds. Time out range is 0 to 255 seconds. After this time period expires, the backlight will turn off. If the time out period is set to "0" seconds, the backlight will not timeout and will stay on constantly.

TIME FORMAT

From the setup screen, you can set the time format displayed on the screen from 12 hour to 24 hour format.

KEYPAD PROGRAMMING:

RCS Network Control Unit's *WinEVM* PC software provides for fast and easy keypad setup and downloading. This software provides a complete environment for graphic button image creation, key press function assignment and menu definition and linking. Stored libraries and copy functions make multiple keypad networks simple and quick to create.