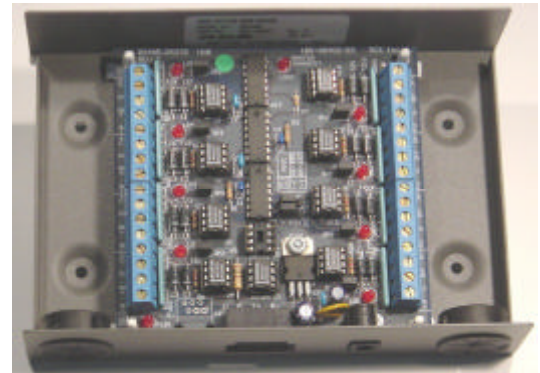


## 8 Channel RS-485 Active Hub

- **CommStar Network Device**
- **True STAR Wiring Hub**
- **8 Channel RS485 Output**
- **RS485 or RS232 Master Input**
- **Network Termination Issues Resolved**
- **4000 Ft Line Length On Each Channel**
- **12VDC Network Power Distribution**
- **4 Wire Terminal Strip: 2 Power, 2 Data**
- **Hubs can be daisy chained for 64 channels**



### CommStar Network Star Wiring Hub

RCS *CommStar* Control Units can connect to this external 8 channel active hub to provide a STAR wiring connection to the CommStar. Also can be used with the CS308's internal 8 channel hubs for further expansion.

#### RS485 Active Hub

The unit has 8 independent RS485 output channels each with their own driver. All outputs see input data simultaneously. Each input channel is equipped with automatic send data control to allow for  $\frac{1}{2}$  duplex transmissions

**Expansion:** Up to 64 channels.

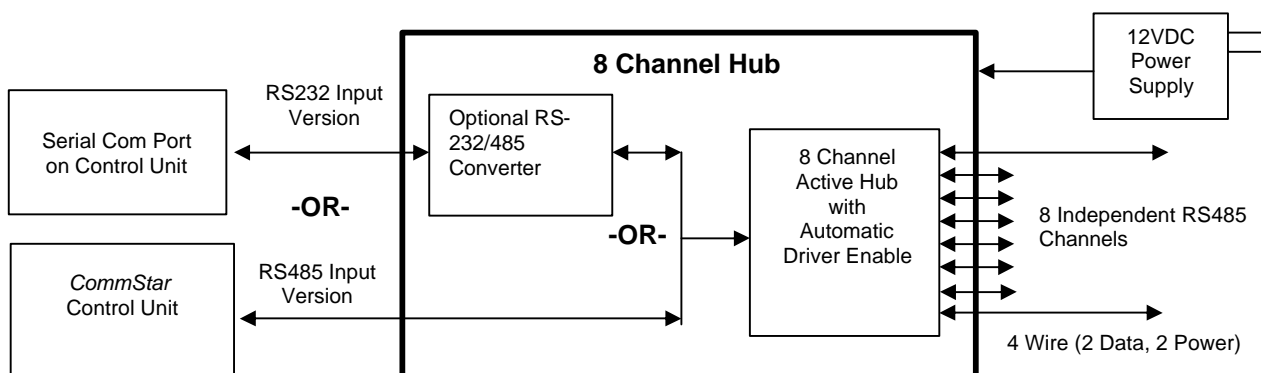
#### RS232 Active Hub

Model 8AH232 has an RS232 master input, which is converted to RS485 and distributed out the 8 channels.

#### STAR Wiring

Each channel is independent and allows for home run, or star wiring, to each channel without using the typical RS485 daisy chain wiring. This eliminates concerns about terminations. Since each line has its own driver, each line can be up to 4000 ft.

**NOTE:** You can use daisy chain wiring within EACH channel of the HUB to connect up to 255 devices, *IF* you observe the RS485 network connection and termination requirements. The last device in the daisy chain on each channel requires 120 Ohm line termination.



**Power:** 12VDC, 1A. Transformer included.

**Size:** 6" x 4" x 1.5"

Order Information:	Model	Description	Part Number
	8AH485	8 Channel Hub w/RS485 Input	001-00624
	8AH232	8 Channel Hub w/RS232 Input	001-00634